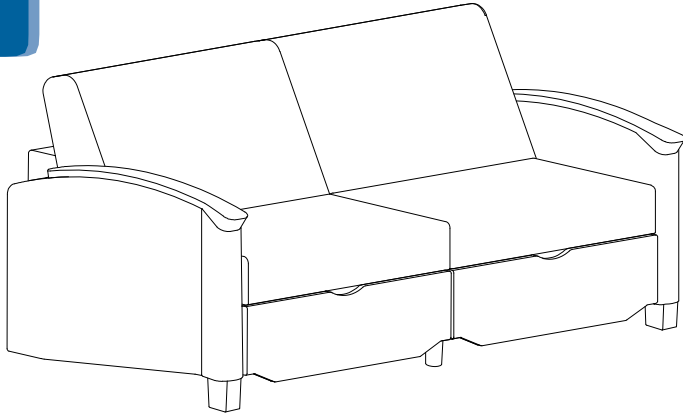


Sleep Chair

Harmony

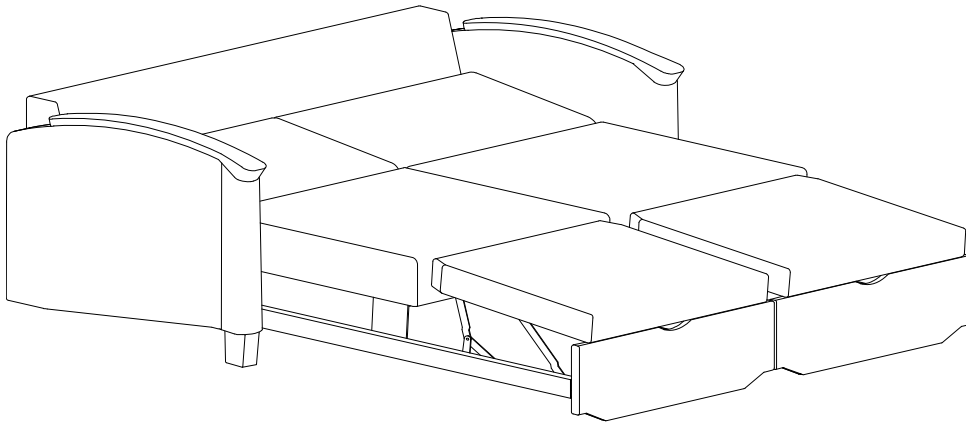
HA2822

Dual Sleep Chair (2 Pull-Out Beds)



Standard Product Information

- > Urethane Arm Caps
- > Wood Legs
- > Wall Saver Design
- > "HR" High Resiliency Seat & Back Foam (CAL117-2013 Certified)
- > Two Heavy Duty Steel pull-out bed units.
- > Interior frame construction - double walled construction grade plywood CNC cut and puzzle jointed together
- > Bariatric Rated
- > All interior wood is "California Carb Compliant"
- > Three positions: chair, chaise, and bed



* NOTE: you will need 48" in front of this unit to pullout the seat and the seat extension to change unit into a sleeper.

Dimensions

Width	70"	Sleep Area - Single	30" x 80.5"
Depth	38"	Sleep Area - Double	62" x 80.5"
Height	36.5"	Floor Space	70" x 86"
Seat Width	61"	Weight Capacity	500 lbs. per seat
Seat Depth	21.5"	COM (Yds.)	14
Seat Height	18.5"	Weight	408
Back Height	21"	Cubic Feet	84
Arm Height	27"		

Options:

WA	Wood Arm Caps
3S4R2	Three- 3" Swivel Casters in rear & One 3" Swivel and Two 3" Rigid Locking Casters in front

