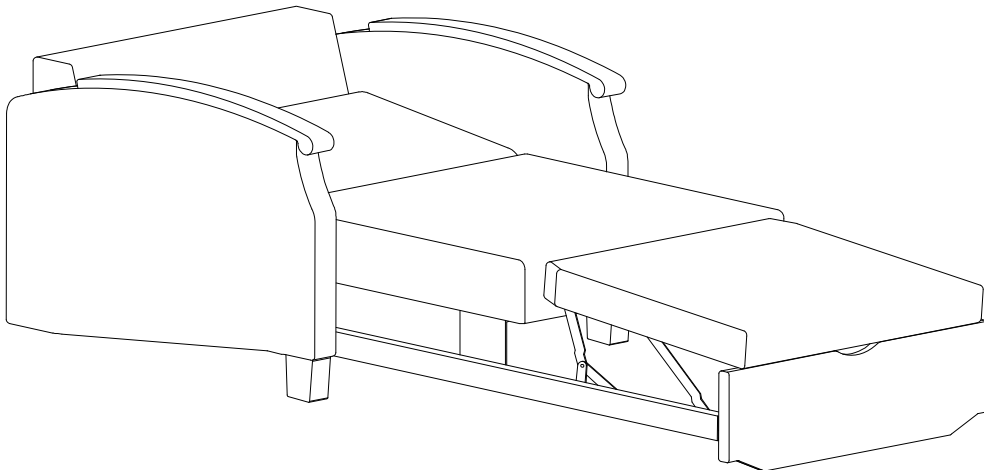
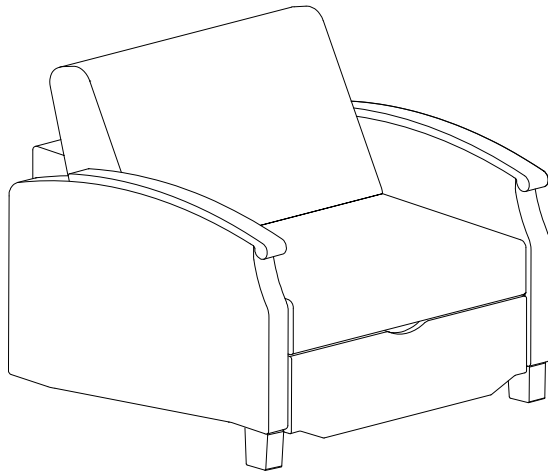


Sleep Chair

Florin
FL2800
30" Sleep Chair



Standard Product Information

- > Urethane Arm Caps
- > Wood legs
- > Bariatric Rated
- > "HR" High Resiliency Seat & Back Foam (CAL 117-2013 Certified)
- > Heavy Duty Steel pull-out bed mechanism.
- > Interior frame construction - double walled construction grade plywood CNC cut and puzzle jointed together
- > All interior wood is "California Carb Compliant"
- > Three positions: chair, chaise, and bed

** NOTE: you will need 48" in front of this unit to pullout the seat and the seat extension to change unit into a sleeper.*

Dimensions

Width	36.5"	Sleep Area	30" x 80.5"
Depth	38"	Floor Space	36.5" x 86"
Height	36.5"	Weight Capacity	500 lbs.
Seat Width	30"	COM (Yds.)	9
Seat Depth	21"	Weight	200
Seat Height	18.5"	Cubic Feet	44
Back Height	21"		
Arm Height	27"		

Options:

- W Wood Arm Caps
- 3S2R2 Two - 3" Swivel Locking Casters in rear & Two 3" Rigid Locking Casters in front

